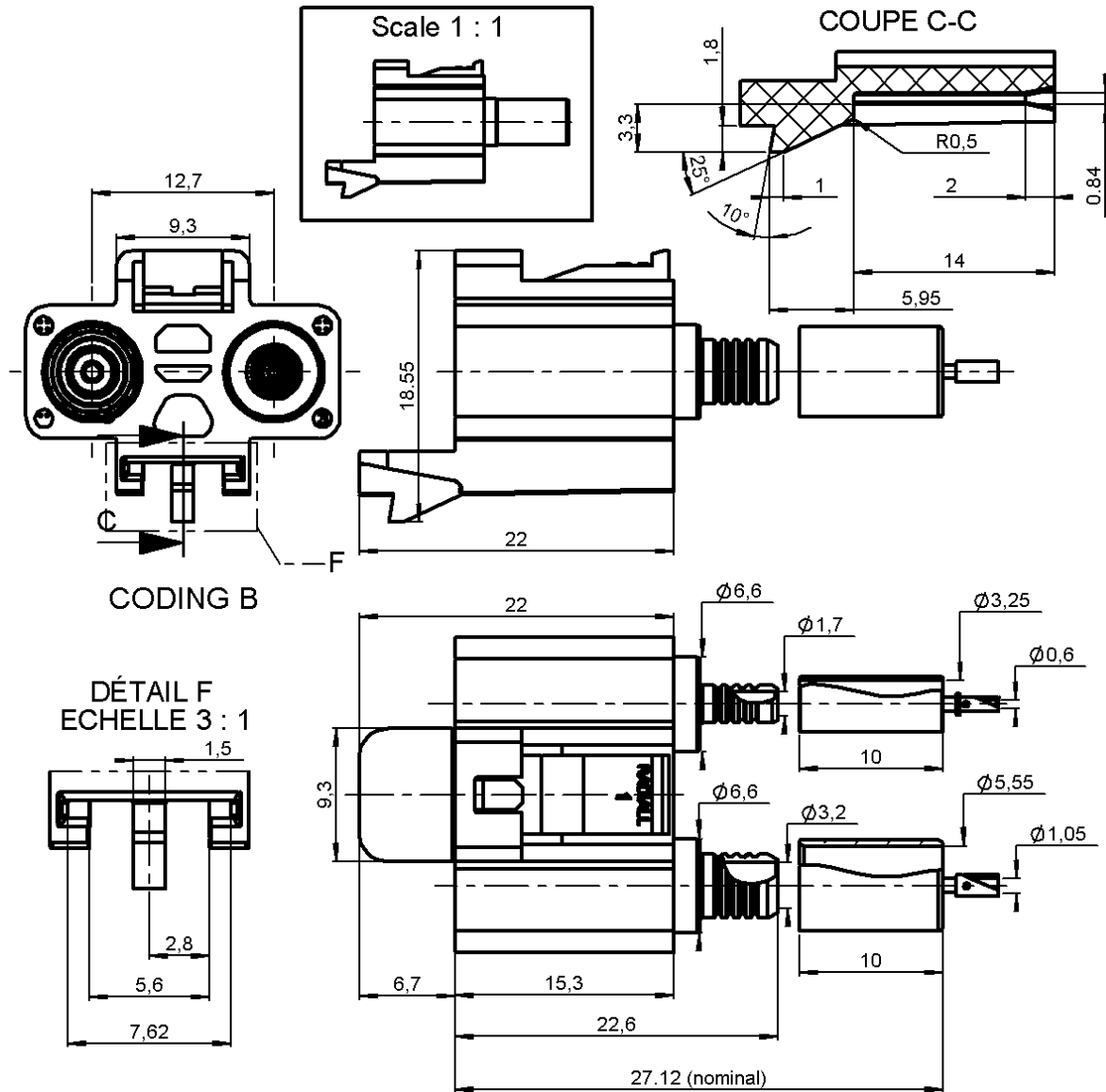


DUPLEX HOUSING+STRAIGHT FEMALE PLUG

R197.214.B10

A SERTIR CABLE 2.6/50S+5/50S PACK200

Series : SMB
CARLOCK



All dimensions are in mm.



COMPONENTS	MATERIALS	PLATINGS (µm)	
BODY	BRONZE	NICKEL 2	
CENTER CONTACT	-		
OUTER CONTACT	-		
INSULATOR	PTFE		
GASKET			
OTHERS PARTS			
HOUSING	PA6.6 GF15 (POLYAMIDE)	UL CLASSIFICATION	COLOR
		UL 94 V-2	CREAM WHITE RAL 9001

Issue : 0637 B

In the effort to improve our products, we reserve the right to make changes judged to be necessary.



DUPLEX HOUSING+STRAIGHT FEMALE PLUG

R197.214.B10

A SERTIR CABLE 2.6/50S+5/50S PACK200

Series : **SMB**
CARLOCK

PACKAGING

Standard 200	Unit	Other Contact us
	'W' option	

CABLE ASSEMBLY

Stripping	a	b	c	d	e	Cable
mm	2.4	5.5	9.4	0	7.00	RG174
mm	2.4	5.5	9.4	0	7.00	RG58

ELECTRICAL CHARACTERISTICS

Impedance		50 Ω
Frequency		0-4 GHz
VSWR	1.20* +	0.000 x F(GHz) Maxi
Insertion loss		0.05 √F(GHz) dB Maxi
RF leakage	≤ -	45 - F(GHz) dB Maxi
Voltage rating		335 Veff Maxi
Dielectric withstanding voltage		1000 Veff mini
Insulation resistance		1000 MΩ mini

Assembly instruction :

For RG174 cable : see page 3 & 4

For RG58 cable : see page 5

Recommended cable(s)

RG 58

RG 174

RG 316

Characteristics indicated on this data sheet are those that can be achieved with the highest performance cable. Intrinsic limitations of the cable may diminish the performance of the assembly

Cable retention

- pull off	RG58	110	N mini
	RG174 JUDD		
	CABLE	110	N mini
	RG316	110	N mini
	RG174	65**	N mini

MECHANICAL CHARACTERISTICS

Center contact retention		
Axial force – Mating end	10	N mini
Axial force – Opposite end	10	N mini
Torque	NA	N.cm mini

Recommended torque		
Mating	NA	N.cm
Panel nut	NA	N.cm
Clamp nut	NA	N.cm
A/F clamp nut	0.000	mm

Mating life	100	Cycles mini
Weight	7.50	g

ENVIRONMENTAL

*** Depends on the cable used

Operating temperature	-40/+110	° C ***
Hermetic seal	NA	Atm.cm3/s
Panel leakage	NA	

SPECIFICATION

SAE/USCAR-17 Rev.1 (October 2002)

SAE/USCAR-2 Rev.3 (February 2001)

SAE/USCAR-18 Rev.2 (January 2003)

Issue : _____

In the effort to improve our products, we reserve the right to make changes judged to be necessary.

TOOLING

Référence	Désignation	Hexagone
RG174 (2.6/50S) CABLE		
R282.293.000	CRIMPING TOOL	
R282.235.915	CRIMPING TOOL	Square 0.72
R282.235.916	RIGHT CRIMPING TOOL	Hex 3.25
R282.235.917	LEFT CRIMPING TOOL	Hex 3.25
OR		
R282.281.000	CRIMPING TOOL	2x4pts 3pos
R282.967.034	POSITIONER	
RG 58 (5/50S) CABLE		
R282.293.000	CRIMPING TOOL	
R282.235.910	CRIMPING DIES	Square 1.1
R282.235.011	CRIMPING DIES	Hex 5.41
OR		
R282.281.000	CRIMPING TOOL	2x4pts 7pos
R282.967.034	POSITIONER	

OTHERS CHARACTERISTICS

* VSWR : 1.20 maxi at 4 GHZ

** According to the cable used , for more details , please contact us.



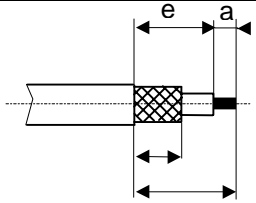

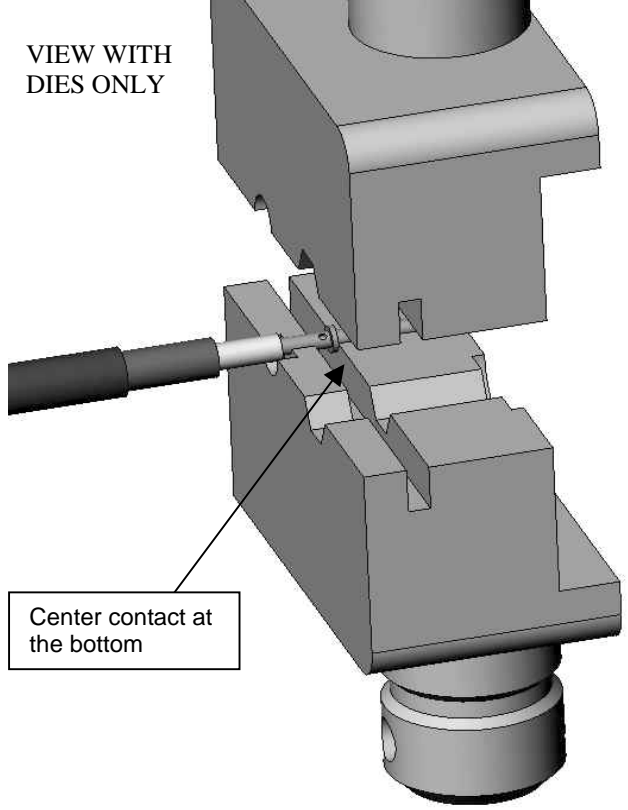
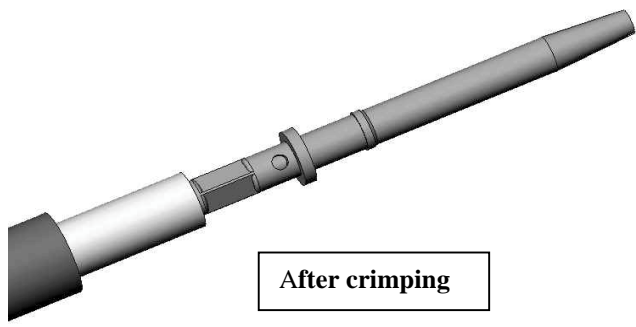
DUPLEX HOUSING+STRAIGHT FEMALE PLUG

R197.214.B10

A SERTIR CABLE 2.6/50S+5/50S PACK200

Series : SMB
CARLOCK

Recommended mounting procedure for RG174 cable

	
<p>1</p> <ul style="list-style-type: none"> • Slide the ferrule onto the cable • Strip the cable 	
<p>2</p> <ul style="list-style-type: none"> • Slide the centre contact on until it bottoms against the cable dielectric • Crimp the centre contact with crimping tool R282.293.000 (M22520/5-01) + dies R282.235.915 (square 0.72) or R282.281.000 (3 position) (2x4pts) with positioner R282.967.034. 	<p>VIEW WITH DIES ONLY</p>  <p>Center contact at the bottom</p>  <p>After crimping</p>

Issue : 0637 B

In the effort to improve our products, we reserve the right to make changes judged to be necessary.



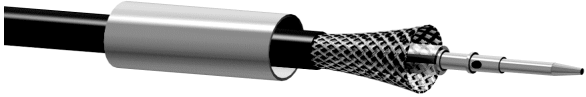
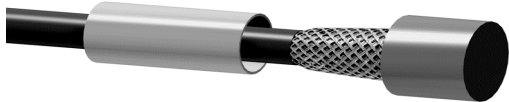
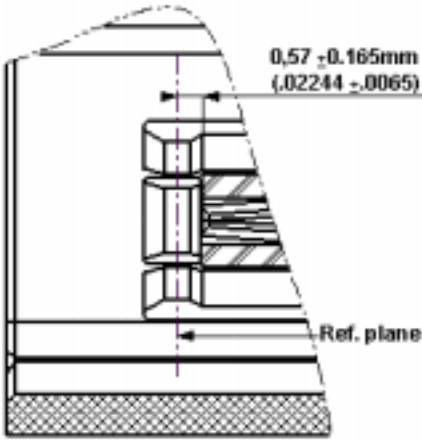
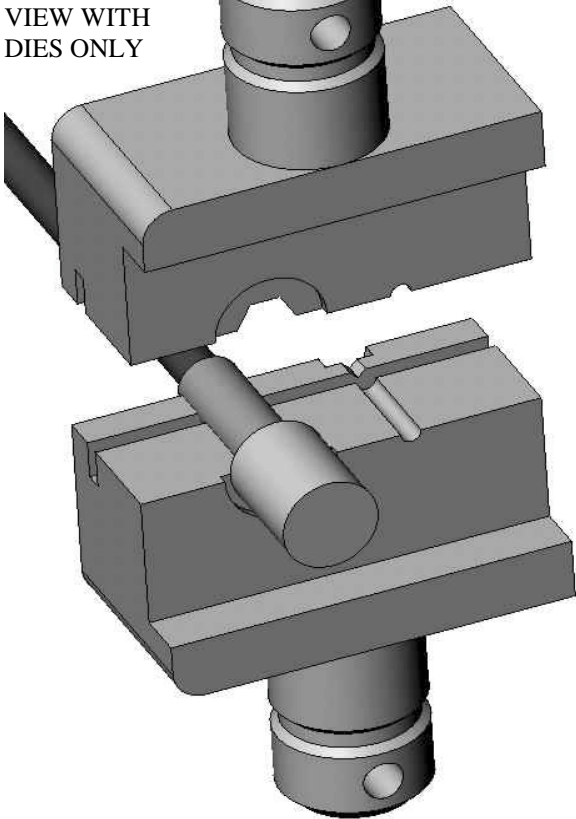
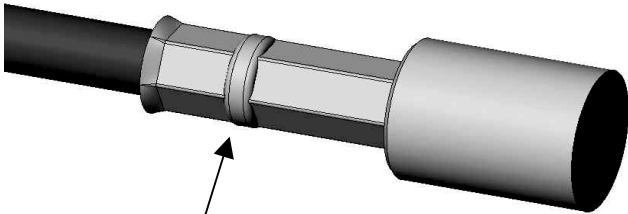
DUPLEX HOUSING+STRAIGHT FEMALE PLUG

R197.214.B10

A SERTIR CABLE 2.6/50S+5/50S PACK200

Series : SMB
CARLOCK

Recommended mounting procedure for RG174 cable

<p>3</p> <ul style="list-style-type: none"> • Fan the braid 	
<p>4</p> <ul style="list-style-type: none"> • Slide the cable into the body until it bottoms against insulator 	
<p>5</p> <ul style="list-style-type: none"> • Slide the ferrule over the braid • Crimp the ferrule as shown on the picture with crimping tool R282.293.000 (M22520/5-01) + dies R282.235.915 (Double crimping Hex 3.25). • Check the position of the center contact between the top of the center contact and the SMB ref. plane : 0.57 ± 0.165 	<p>VIEW WITH DIES ONLY</p>   <p>Right tool orientation :after crimping the bump must be closer to the cable than to the body</p>

Issue : 0637 B

In the effort to improve our products, we reserve the right to make changes judged to be necessary.



DUPLEX HOUSING+STRAIGHT FEMALE PLUG

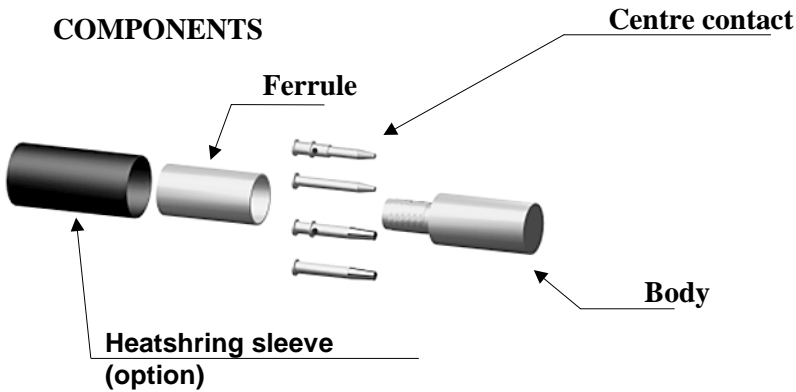
R197.214.B10

A SERTIR CABLE 2.6/50S+5/50S PACK200

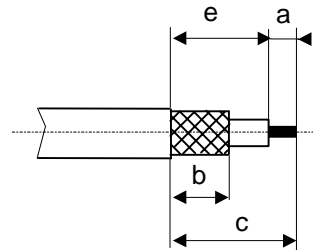
Series : SMB
CARLOCK

Recommended mounting procedure for RG58 cable

COMPONENTS



STRIPPING DIMENSIONS



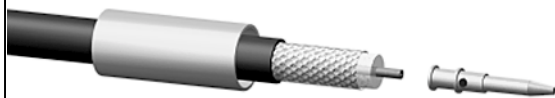
1

Slide the heatshrink sleeve onto the cable (Option).
Slide the ferrule onto the cable.
Strip the cable.



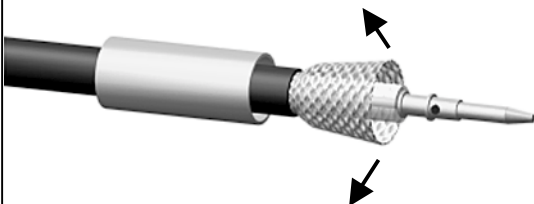
2

Slide the centre contact on until it bottoms against the cable dielectric.
Crimp the centre contact with crimping tool R282.235.910 (square 1.1) or with crimping tool R282.281.000 (7 position 2x4pts) + positioner R282.967.034.



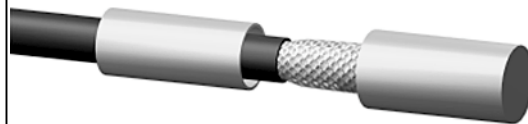
3

Fan the braid.



4

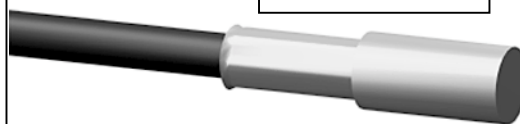
Slide the cable into the body until it bottoms against insulator.



5

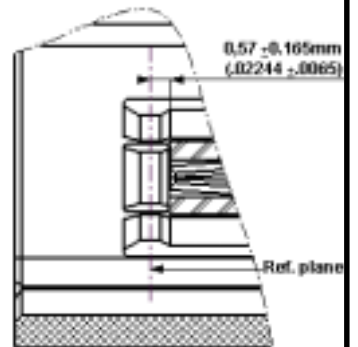
Slide the ferrule over the braid.
Crimp the ferrule with crimping tool R282.235.011 (Hex 5.41).

After crimping



6

Check the position of the centre contact between the top of the center contact and the SMB ref. plane : 0.57 ± 0.165 .



Issue : 0637 B

In the effort to improve our products, we reserve the right to make changes judged to be necessary.

